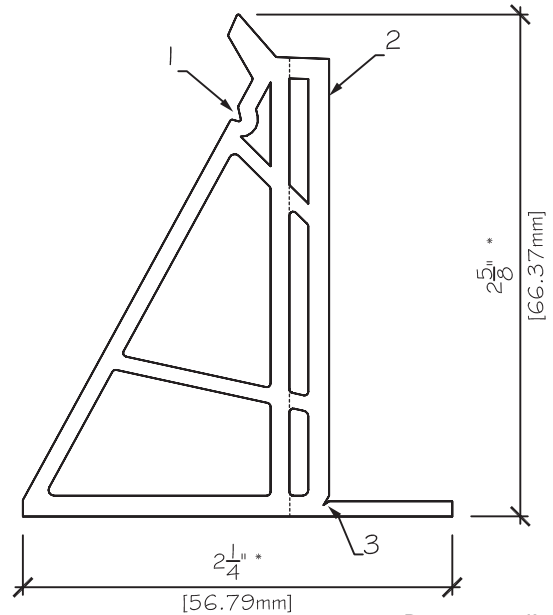
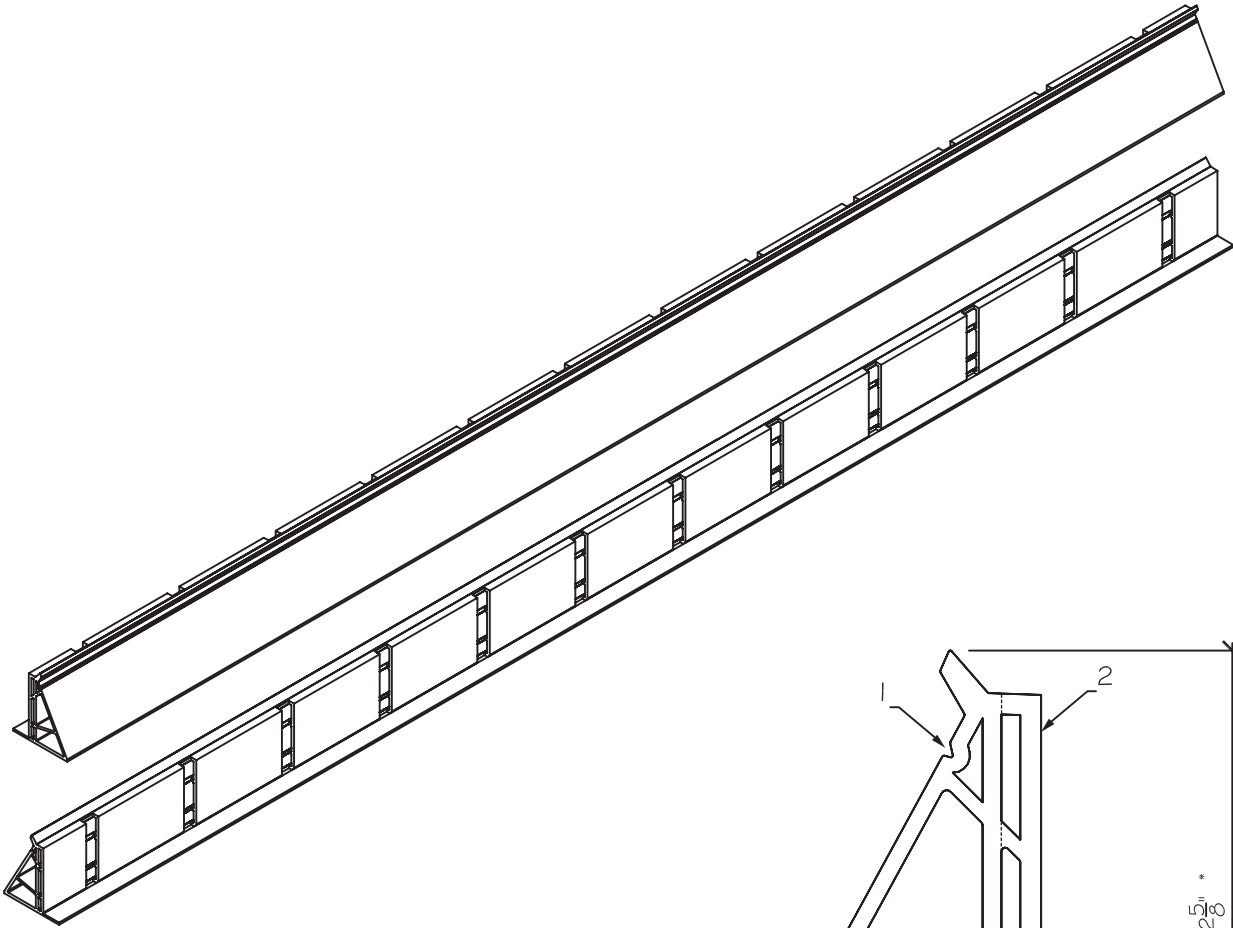


6.1- Unit Specifications

8- SV - Starter strip



Patent pending



**SPECIFICATIONS**

Length: 96" (2438mm)

Weight: 5.0 lbs (2.3 Kg)

Material: 100% Recycled PVC

Color: white or similar

1- Screw guide line

2- 0.2" (5.25mm) x 0.5" (12.7mm) holes at 88.9mm (3.5") c/c

3- Bending mark for easy cut when cavity closure is not needed

