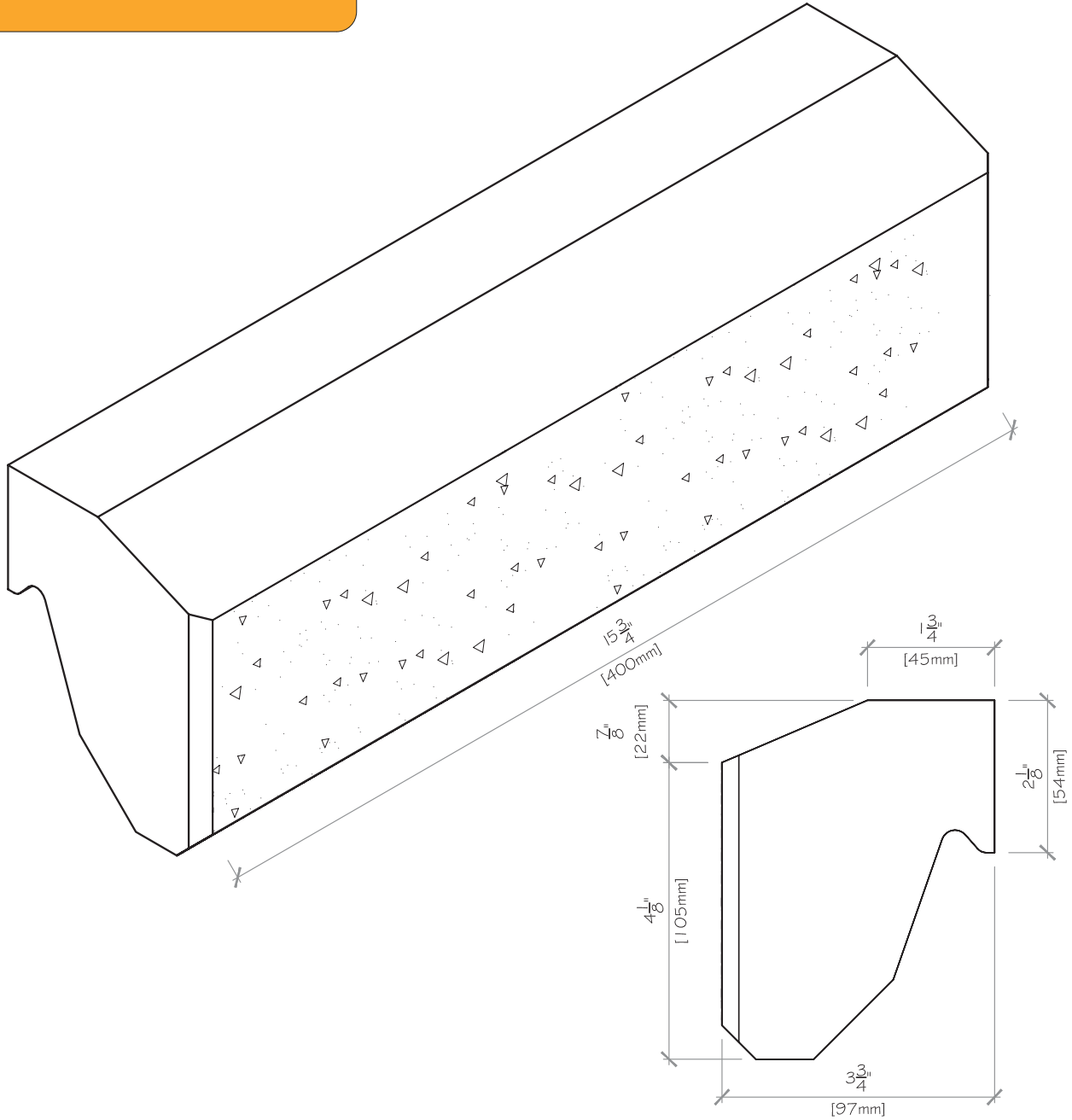


6.1- Unit Specifications

7- Wainscot cap



**SPECIFICATIONS**

Split face length:  $15\frac{3}{4}$ " (400mm)

Size:  $3\frac{3}{4}$ " x  $5\frac{1}{8}$ " (95mm x 127mm)

Split face height:  $4\frac{1}{8}$ " (105mm)

Weight: 19.0 lbs / brick or 14.4 lbs / ln.ft.  
8.7 kg / brick or 21.8 kg / ln.m

Coverage: .76 bricks / ln. ft. (2.5 bricks / ln.m)

Material: Concrete

Compressive strength: 3600 psi (25 Mpa)

Maximum water absorption: 4 to 5%

