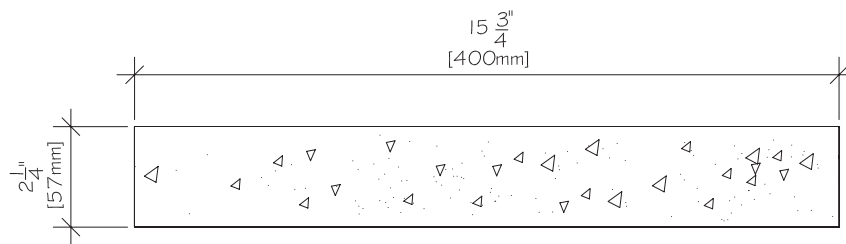
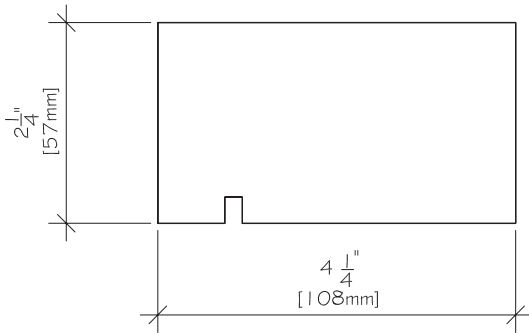
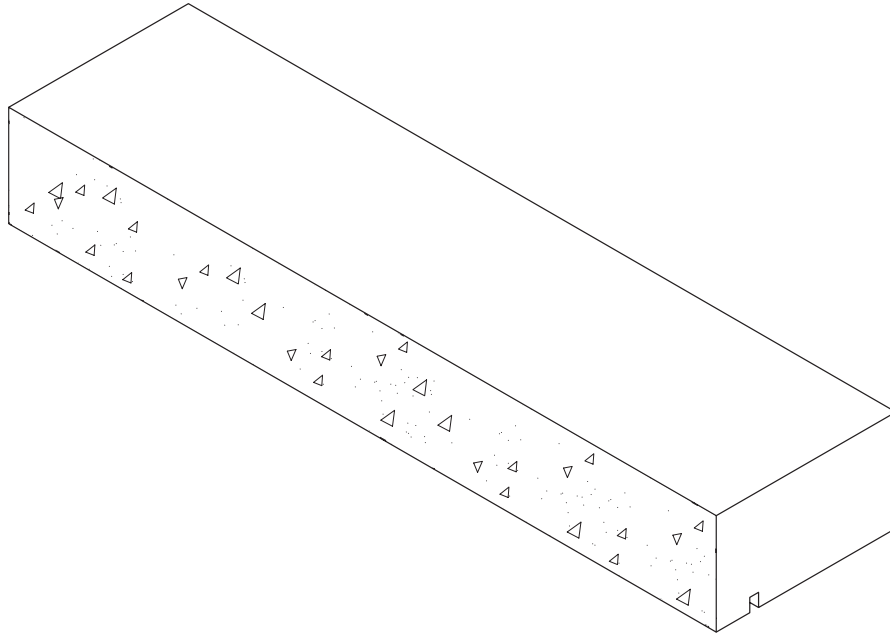


6.1- Unit Specifications

6- Window sill



SPECIFICATIONS

Length: 15 3/4" (400mm)

Size: 2 1/4" x 4 1/2" (57mm x 114mm)

Split face height: 2 1/4" (57mm)

Weight: 15.0 lbs / brick or 11.4 lbs / ln.ft.
6.8 kg / brick or 17.0 kg / ln.m

Coverage: .76 bricks / ln. ft. (2.5 bricks / ln.m)

Material: Concrete

Compressive strength: 3600 psi (25 Mpa)

Maximum water absorption: 4 to 5%

