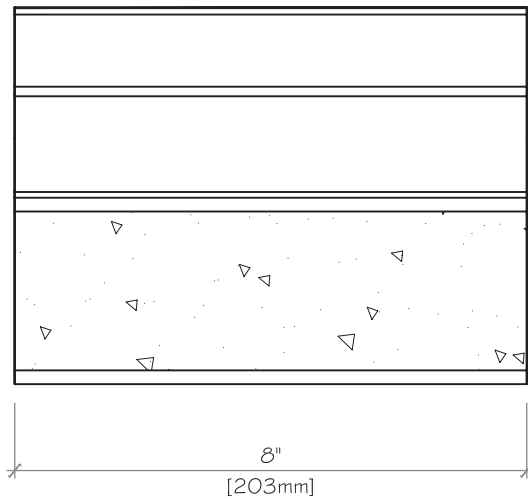
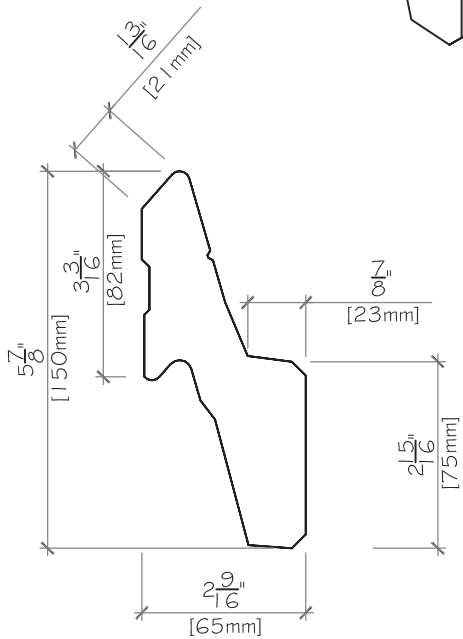
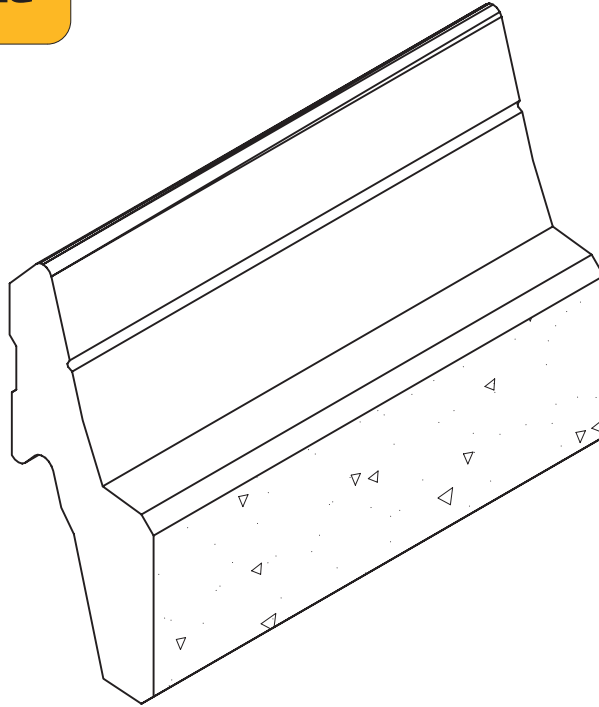


6.1- Unit Specifications

1- Novabrik



**SPECIFICATIONS**

Length: 8" (203mm)

Height: 5 7/8" (150mm)

Split face height: 2 15/16" (75mm)

Weight: 4.4 lbs / brick or 26.9 lbs / sq.ft.  
2.0 kg / brick or 131.4 kg / sq.m

Coverage: 6.1 bricks / sq. ft. (65.7 bricks / sq.m)

Material: Concrete

Compressive strength: 3600 psi (25 Mpa)

Maximum water absorption: 4 to 5%

