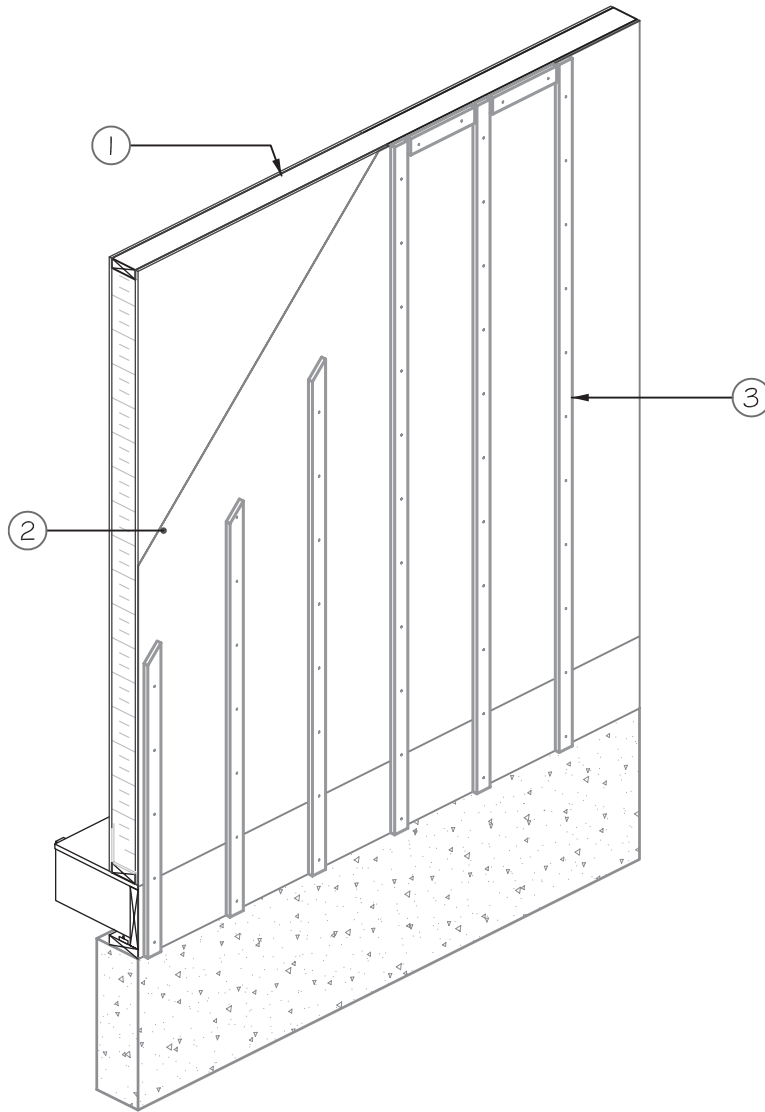
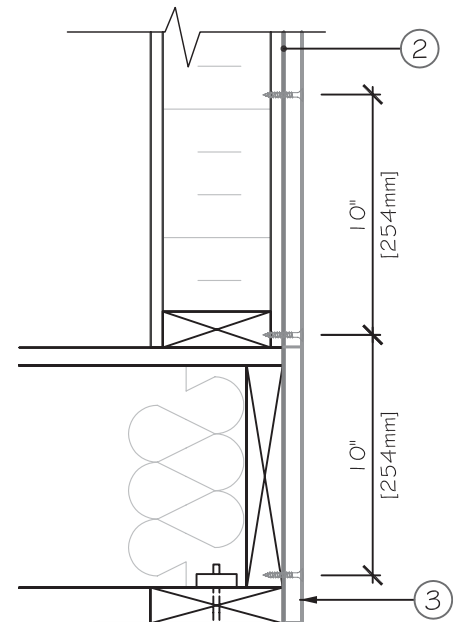


4.7- Installation on Structural Insulated Panel (SIP)

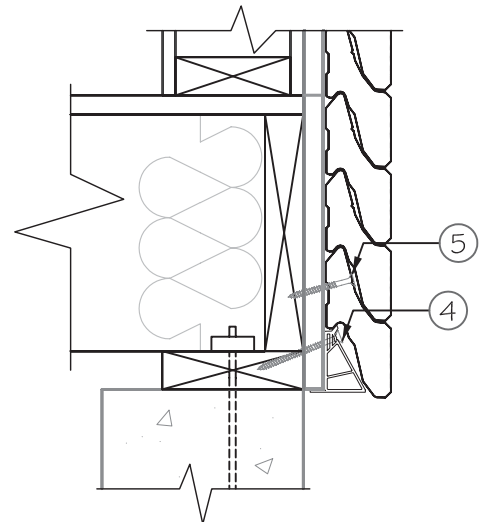
1- Typical SIP wall assembly



A) Wall Preparation



B) Furring Strips Installation



C) Starter Strip & Novabrik Installation

LEGEND:

- 1- Structural Insulated Panels (SIP), minimum exterior sheathing thickness of 7/16" (11mm) is required.
- 2- Air barrier
- 3- 1" x 3" (19mm x 64mm) vertical wood furring strips fastened at 16" c.c. with #10 x 1½" (38mm) corrosion resistant screws at 10" (254mm) c.c.
- 4- PVC Starter Strip fasten with #10 x 2½" (64mm) corrosion resistant screws into sill plate or perimeter joist at every furring strip with a min. penetration of 1 ¼" (32mm) into structure.
- 5- Screw the first row and every fourth row of Novabrik at every furring strip with #10 x 2½" (64mm) corrosion resistant screw.

