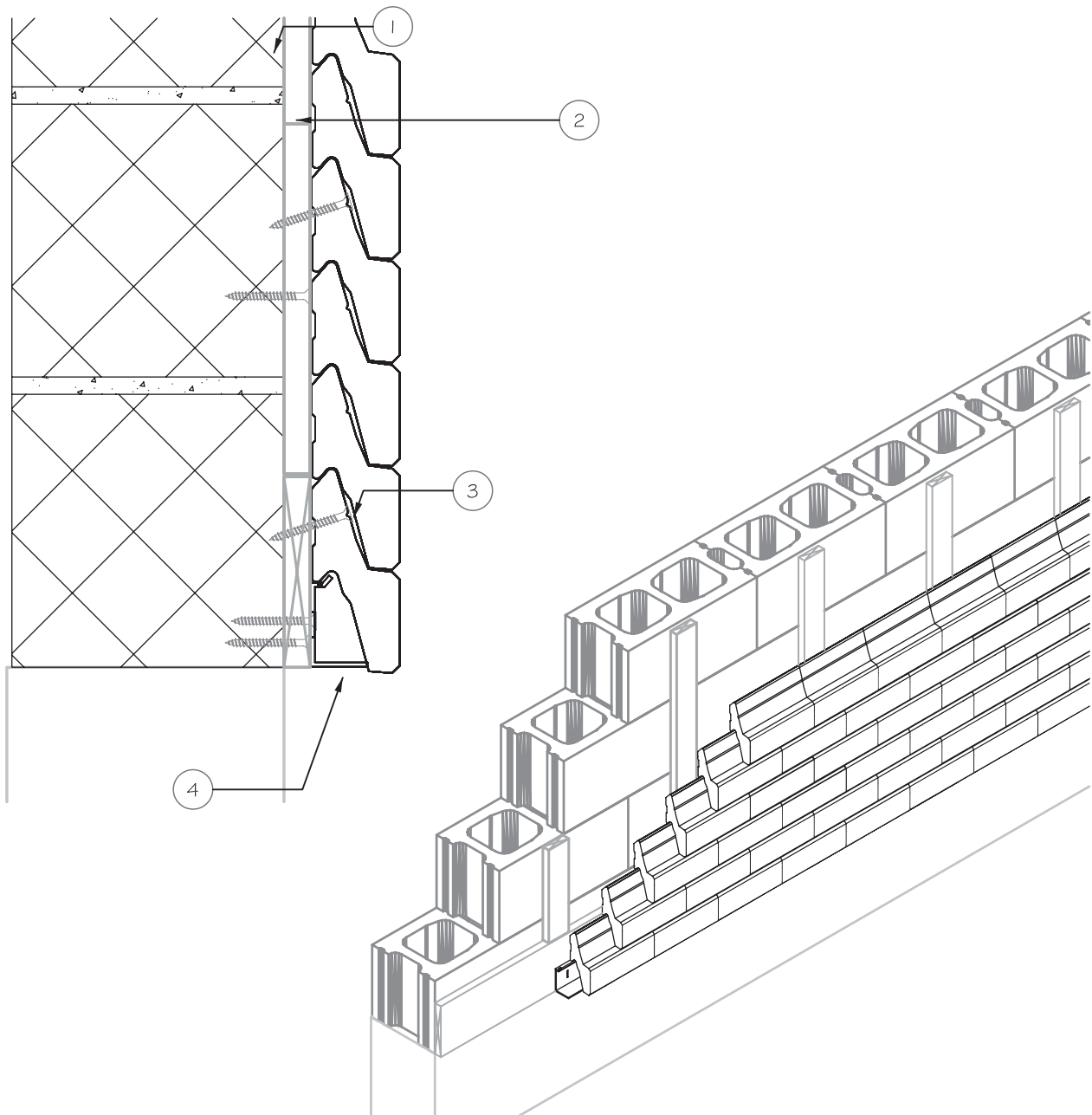


4.5- Installation on CMU walls

1- Typical CMU wall



LEGEND:

- 1- Concrete Masonry Unit (CMU) block wall (by others).
- 2- 1" x 3" (19mm x 64mm) wood furring strips at 16" (406mm) o.c. fasten at 10" (254mm) o.c. with 3/16" x 2 1/4" (5mm x 57mm) corrosion resistant concrete screws.
- 3- Novabrik fastened with 3/16" x 4" (5mm x 100mm) corrosion resistant concrete screws every fourth course at each furring strip.
- 4- Starter strip fastened with 3/16" x 2 1/4" (5mm x 57mm) corrosion resistant concrete screws at 10" (254mm) o.c. over 1" x 6" (19mm x 140mm) baseboard fastened top and bottom at 8" o.c. with #10 corrosion resistant concrete screws (min. 1 1/4" (32mm) penetration into structure).

