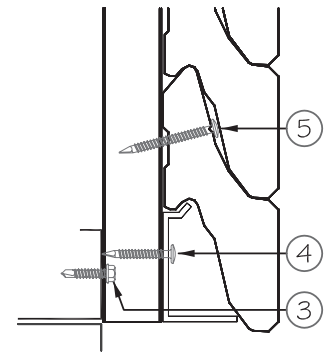
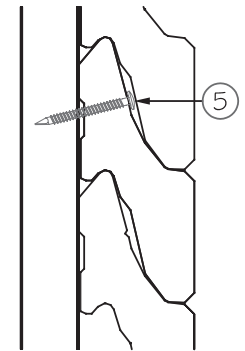
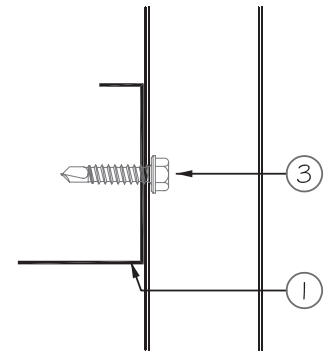
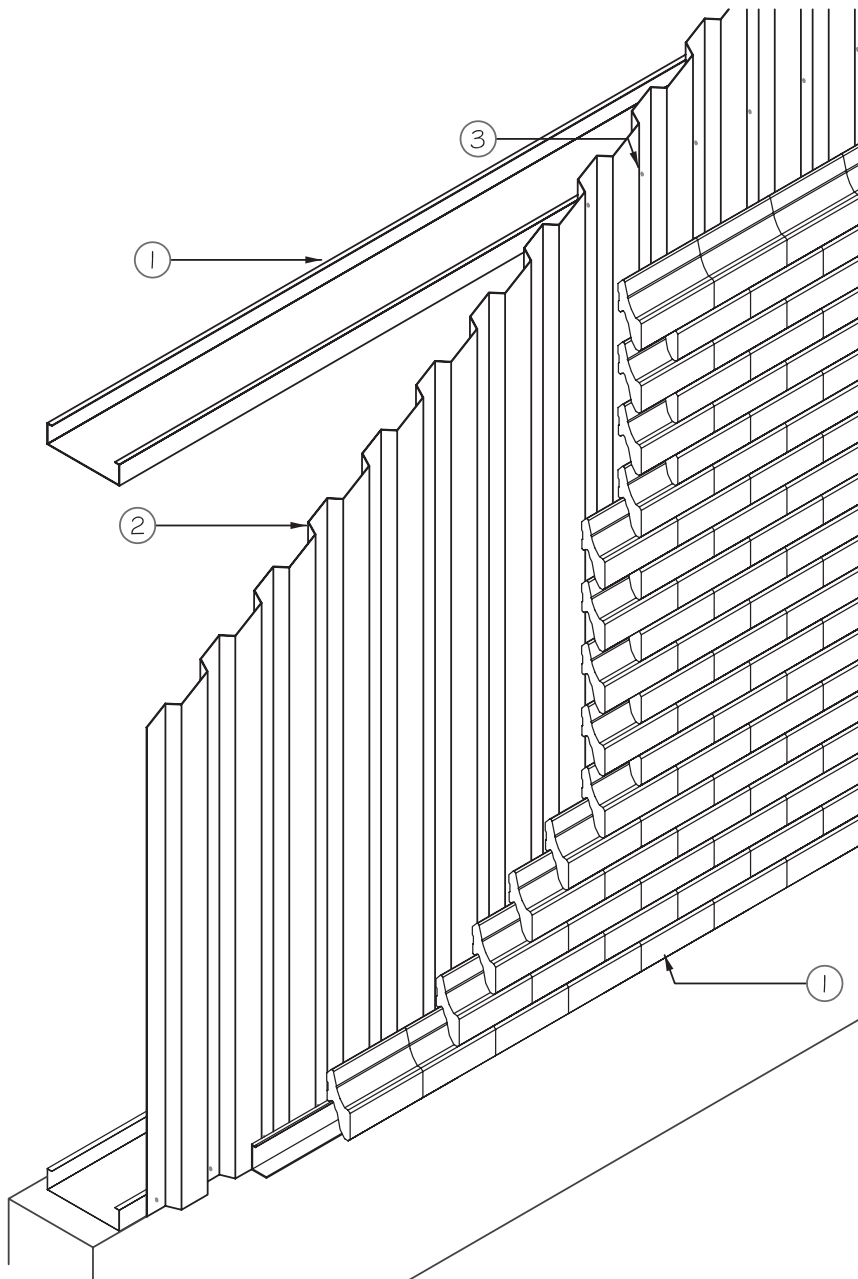


4.4- Installation on Steel structure

2- Over steel siding



**LEGEND:**

- 1- Building structural components by others.
- 2- Steel panel. Maximum span between girts and minimum gauge determined by others.
- 3- Fasteners between steel panel and girt. Number and size is determined by others.
- 4- Starter strip fastened to steel panel with tek #12-24 x 2½" (64mm) corrosion resistant screws.
- 5- Novabrik fastened with tek #12-24 x 2½" (64mm) corrosion resistant screws.
- 6- Fastening pattern determined by others.

