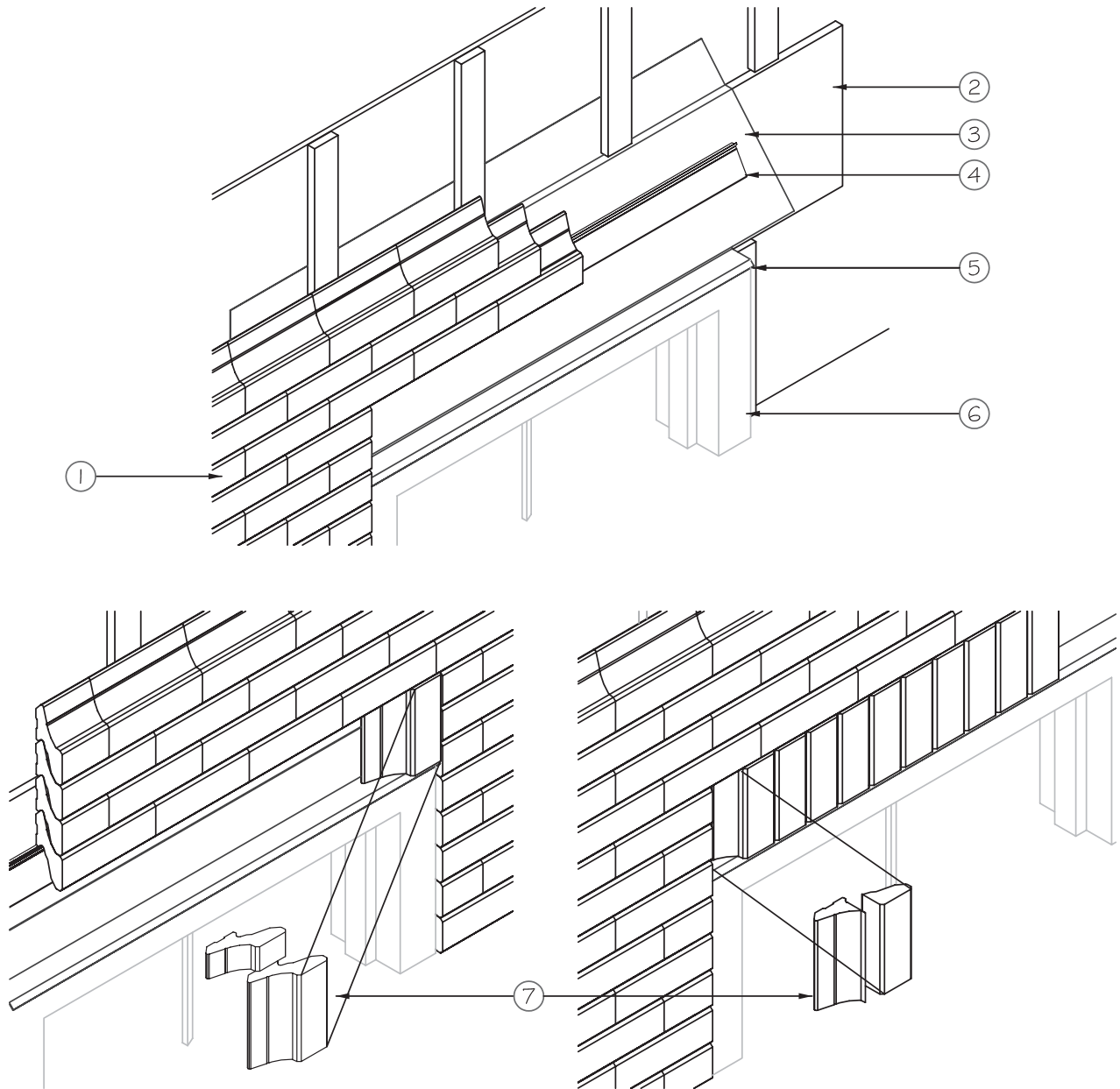


4.3- Installation around openings

5- Soldier course



LEGEND:

- 1- Novabrik
- 2- Plywood reinforcement header, 15" (381mm) high.
(see Section 3 for fastening patterns and reinforcement sizes).
- 3- Housewrap or flashing covering header.
- 4- Starter strip, fasten each brick resting on the starter strip
- 5- Aluminum flashing or drip cap.
- 6- Window or door.
- 7- Novabrik cut to fit and fasten with two screws per brick. The top of the last brick is cut and the face is glued in place with construction adhesive.

