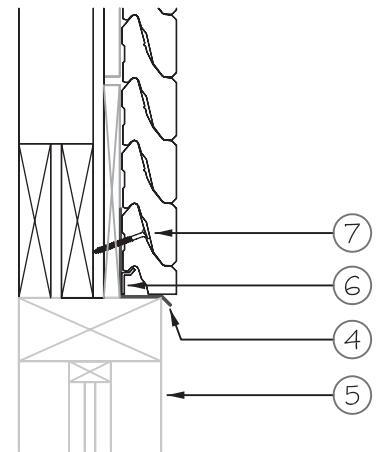
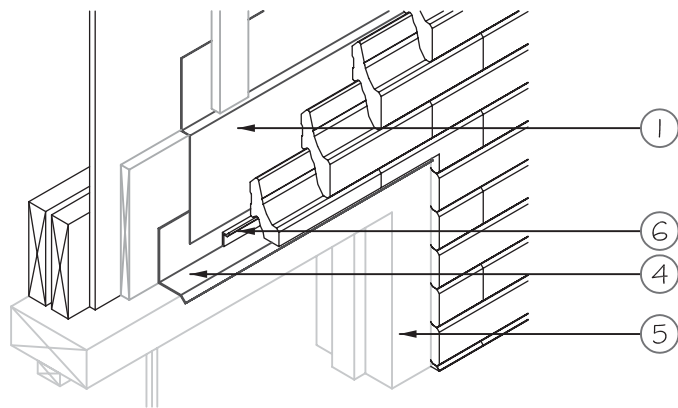
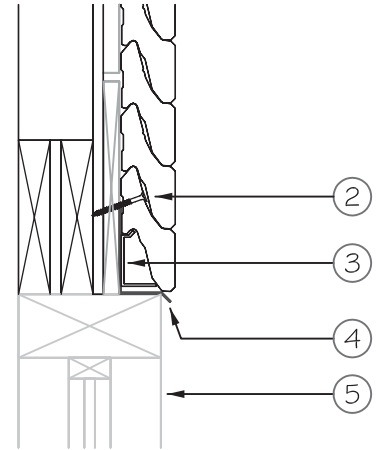
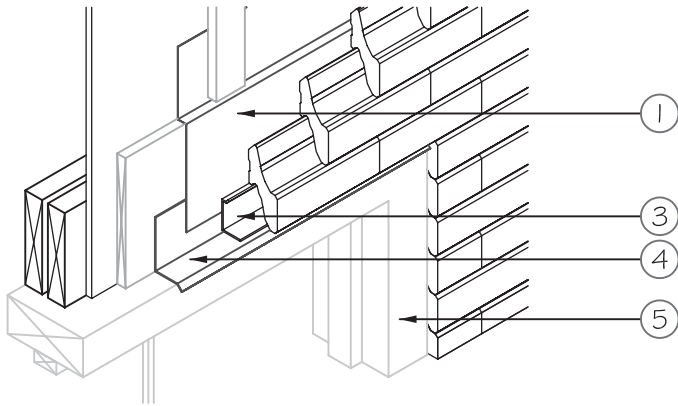


4.3- Installation around openings

4- Above openings



See soldier course installation section to avoid horizontal cuts

**LEGEND:**

- 1- Housewrap or flashing covering reinforcement header
- 2- Two screws per brick on the starter strip
- 3- Starter strip
- 4- Aluminum flashing or drip cap.
- 5- Window or door.
- 6- Starter strip cut as required.
- 7- Novabrik cut horizontally and fastened with 2 screws per brick

