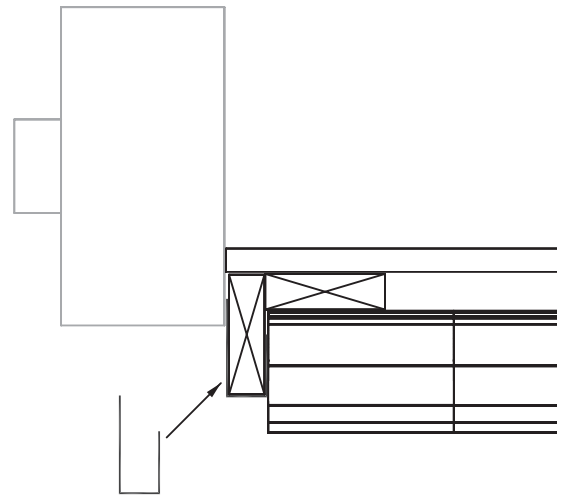
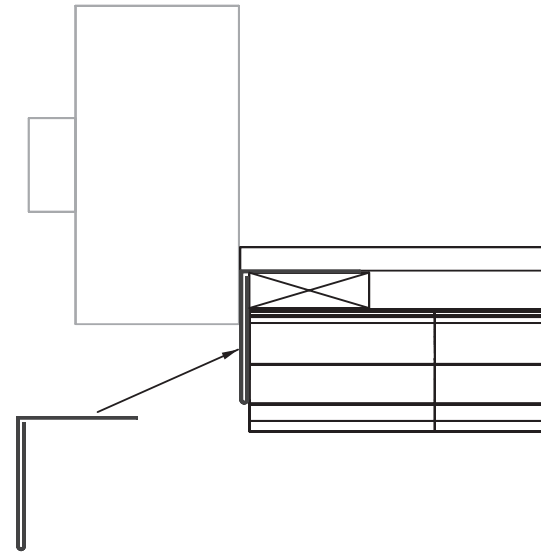
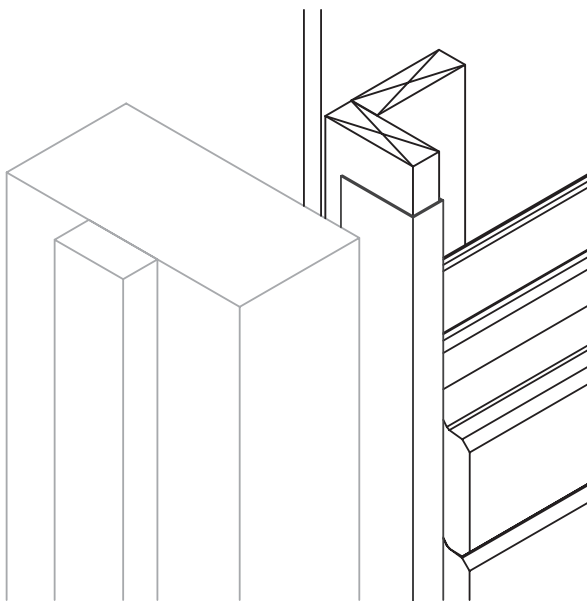
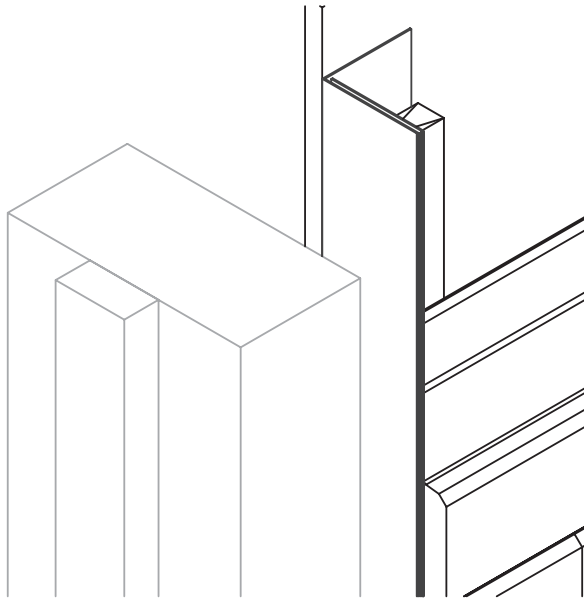


4.3- Installation around openings

3- Window capping



LEGEND:

Aluminum capping is used to extend the window frame out. Two common methods are shown here.

A bead of caulk should be applied along the window frame and the aluminum, and between the aluminum and the bricks.

