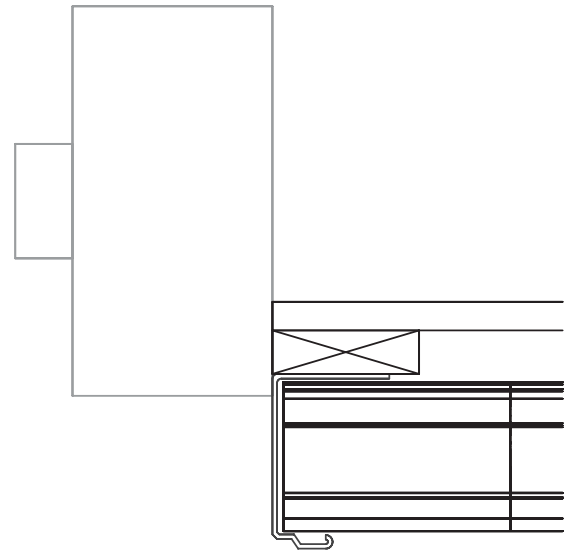
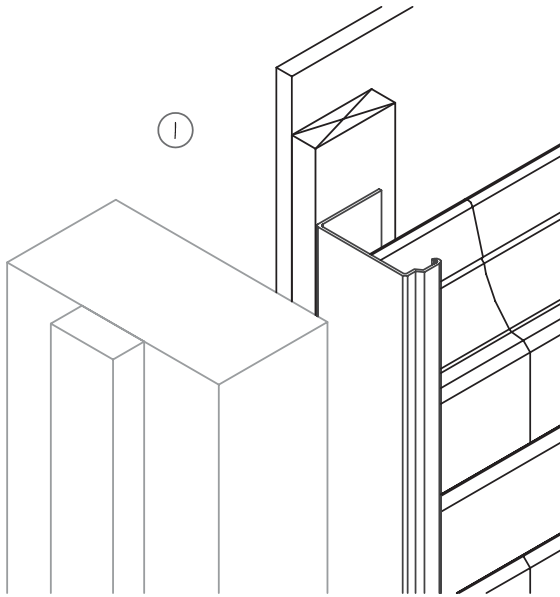
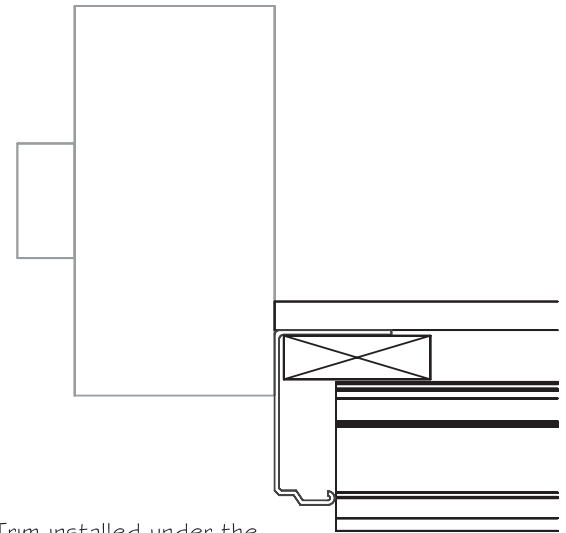
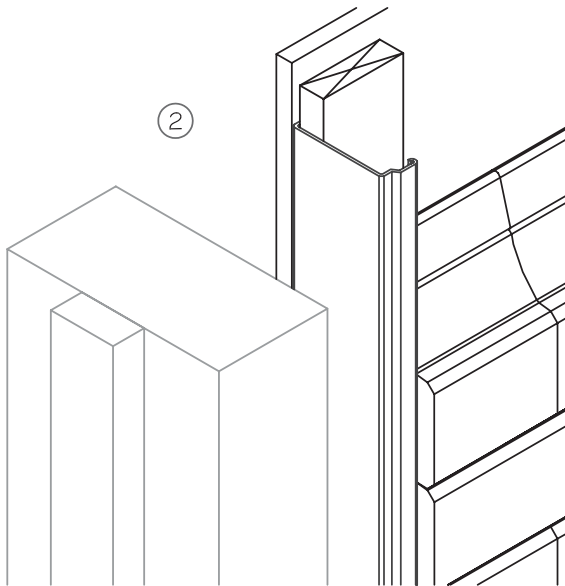


4.3- Installation around openings

2- Window trim



Trim installation on top of the furring strip



Trim installed under the furring strip

LEGEND:

The window trim used to extend the window frame out. It is made out of white PVC

- 1- When the window trim is installed on top of the furring strip, it covers the edge of the bricks. Apply a bead of caulk along the joint between the window frame and the trim
- 2- Apply a bead of caulk along the joint between the window frame and the trim.

