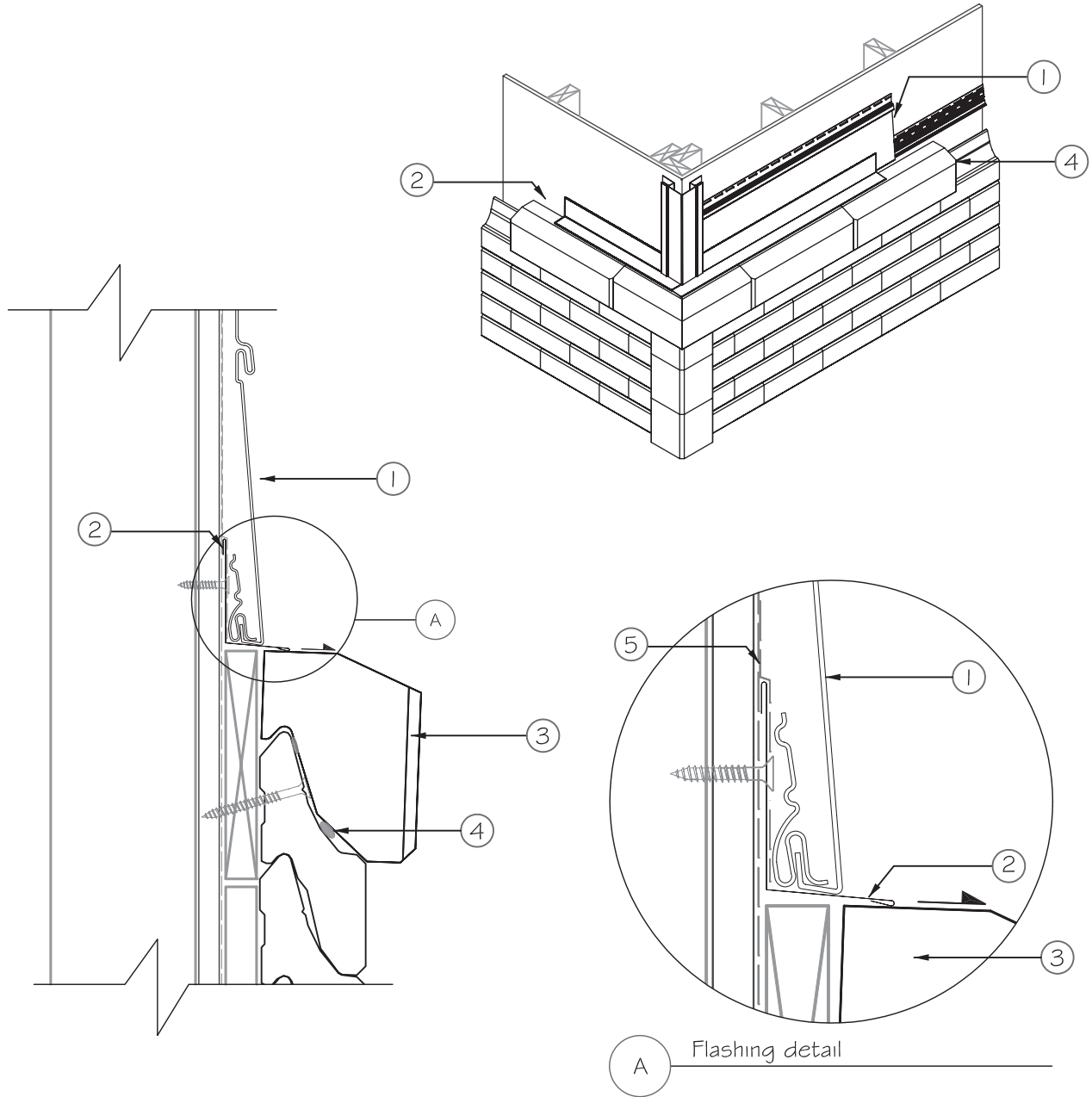


4.2- Novabrik Installation

9- Wainscot



LEGEND:

- 1- Siding
- 2- Flashing
- 3- Fasten the wainscot sill with construction adhesive, position the sill piece in a downward angle in a way to allow for a natural water flow outwards from our house.
- 4- Construction adhesive
- 5- Overlap the housewrap over the flashing to prevent water infiltration.

