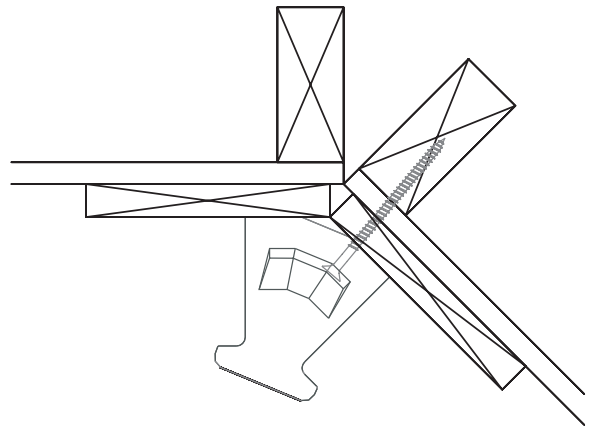
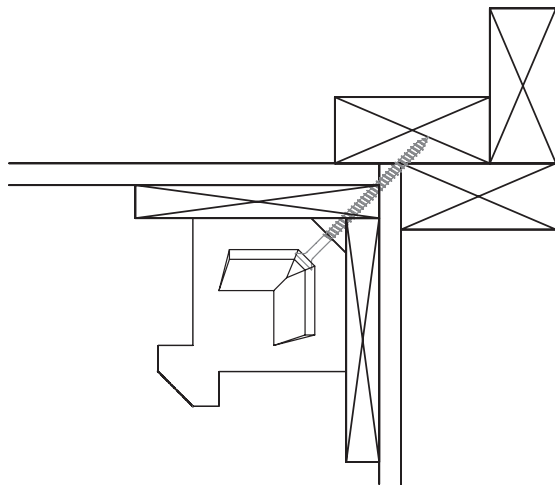
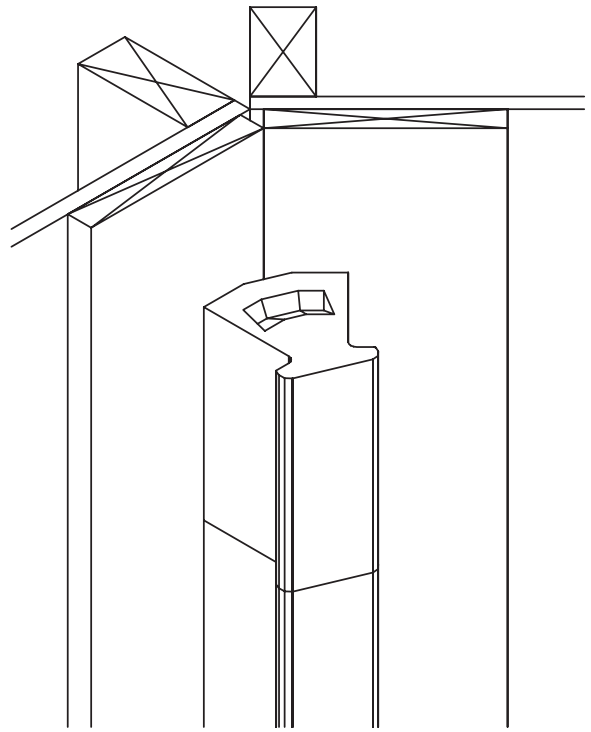
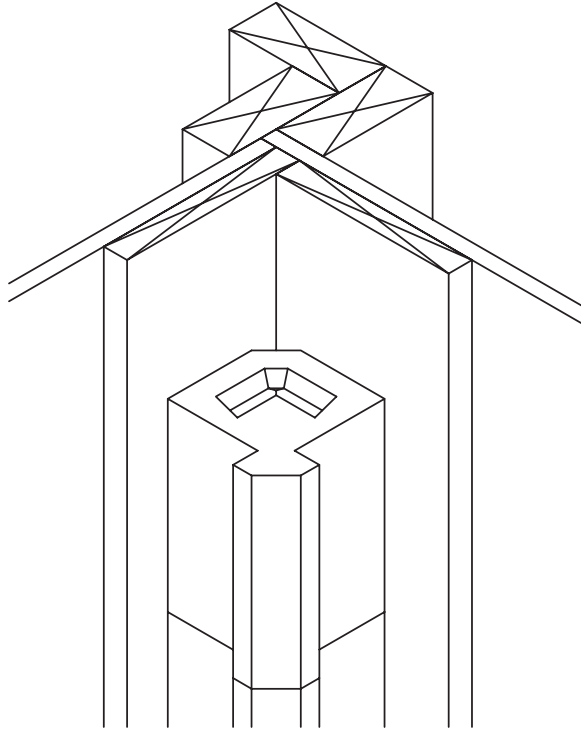


4.2 - Novabrik Installation

4- 90° & 45° inside corner blocks



LEGEND:

- 1- Install 1" x 6" (19mm x 140mm) boards over the corner and align the first corner block with the first course of Novabrik. Fasten each block with one #10 x 4" (102mm) corrosion resistant wood screw and apply a small amount of construction adhesive between the blocks to lock them together.

