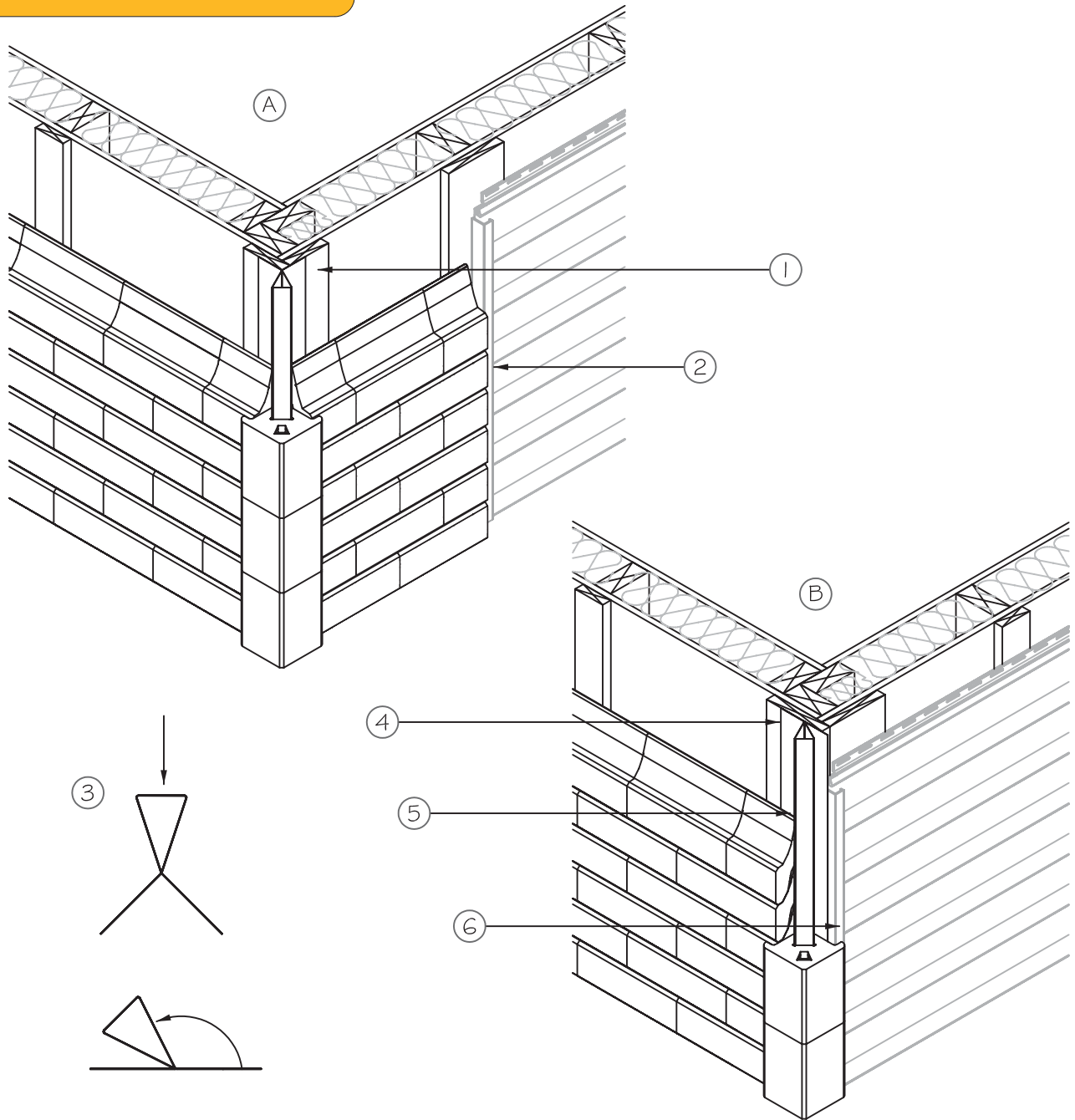


4.2- Novabrik Installation
2- 90° outside corner block



LEGEND:

- 1- Wrap Novabrik around the corner, installing the corner blocks as usual (see 4.2.1)
- 2- Install J channel or molding against the bricks and apply bead of caulk at the joint
- 3- Bend and twist the corner strip
- 4- 1" x 6" (19mm x 140mm) board fasten to the studs
- 5- Modified corner fasten to 1" x 6" (19mm x 140mm). Use a corner block and position the corner strip to achieve the required gap for the siding.
- 6- Install J channel or molding against the inside of the corner block and apply a bead of caulk at the joint.

