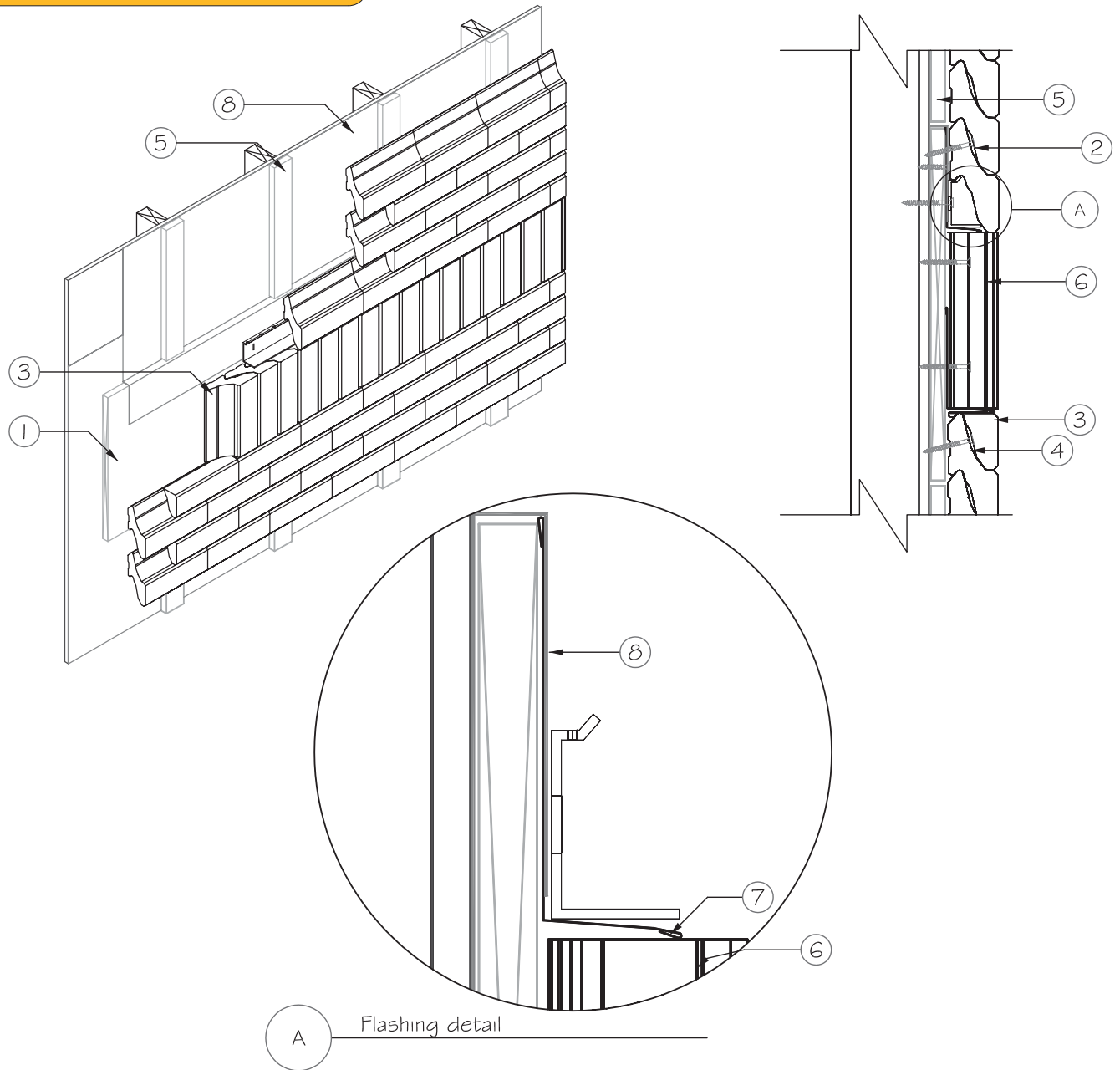


4.2- Novabrik Installation

11- Architectural wall details



A Flashing detail

LEGEND:

- 1- 3/4" (19mm) thick plywood, 20" (508mm) high screwed top and bottom, covered with housewrap.
- 2- Novabrik on starter strip, fastened with #10 x 2 1/2" (64mm) corrosion resistant screws at 8" (203mm) o/c.
- 3- Filler piece secured in place with construction adhesive.
- 4- Novabrik fastened with one screw per brick.
- 5- 1" x 3" (19mm x 64mm) furring strips.
- 6- Soldier course secured in place with 2 screws per brick.
- 7- Flashing
- 8- Housewrap

