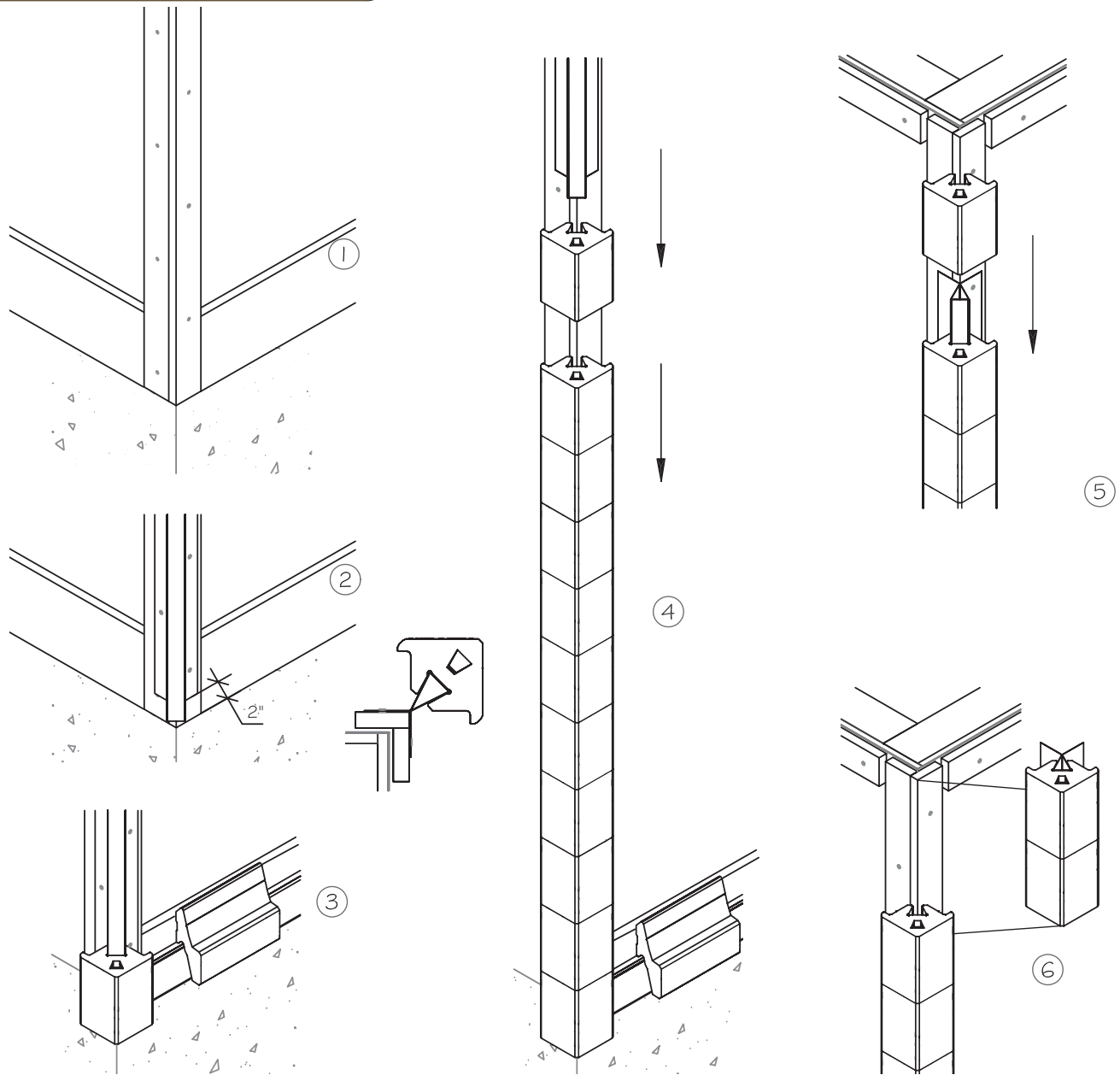


4.2- Novabrik Installation

1- 90° outside corner block



LEGEND:

- 1- Install 1" x 4" (19mm x 89mm) furring strips and 1" x 6" (19mm x 140mm) baseboard over the corner. Correct out of plumb corners at this point.
- 2- Install first corner strip 2" (51mm) from the base fastening with corrosion resistant screws at 10" (254mm) o.c.
- 3- Slide down the first corner block and align with the first course of Novabrik. Fasten into corner strip with one self- tapping corrosion resistant screw.
- 4- Apply construction adhesive between blocks. Install blocks the same way to the end of the first corner strip, insert another corner strip and continue.
- 5- Install one last corner block and measure the height left.
- 6- Cut corner strip to fit. Fasten the number of blocks required to the corner strip. Cut the last block to fit and secure with construction adhesive. Fasten assembly to wall.

