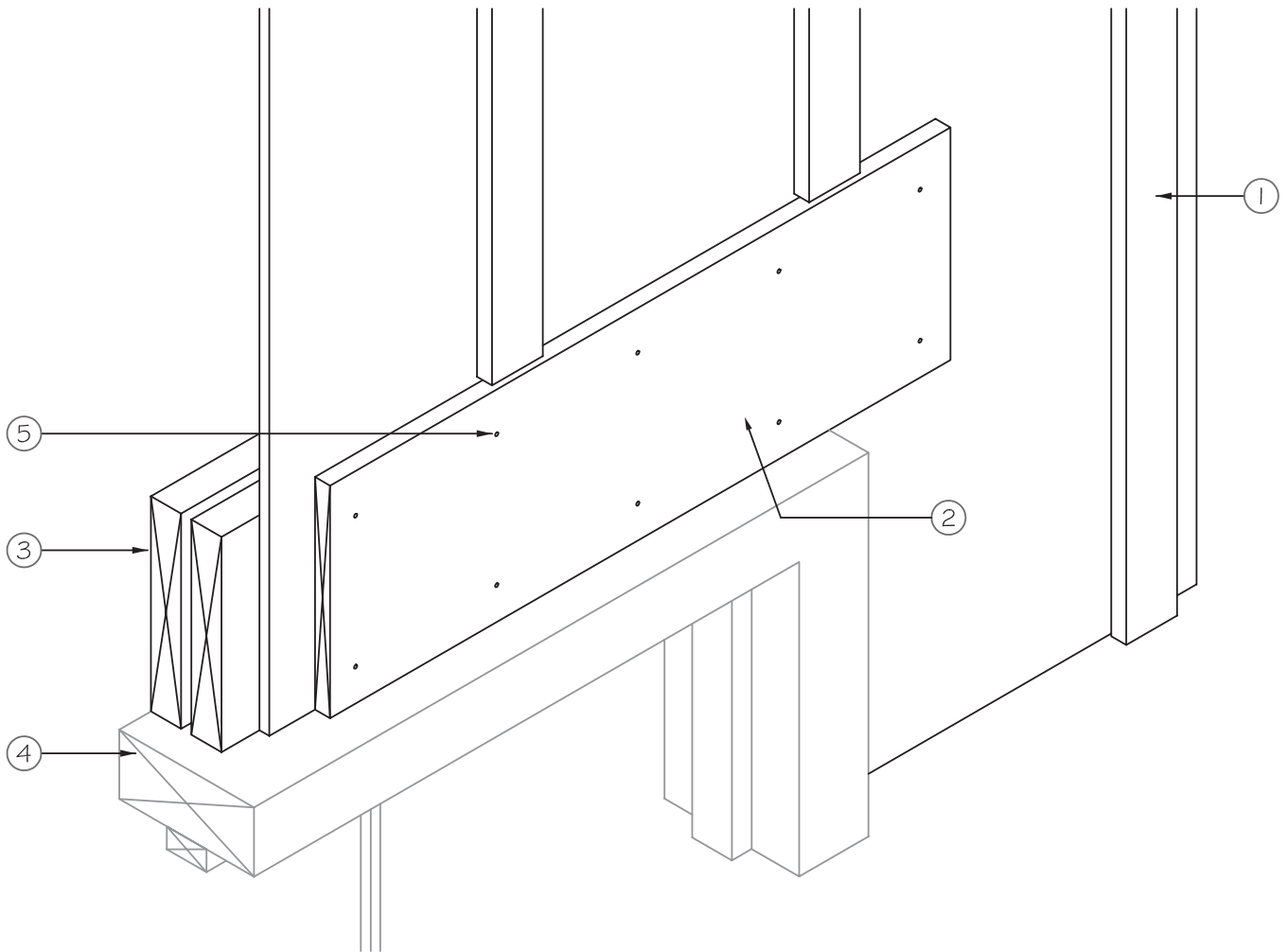


4.1 - Wall Preparation

3- Reinforcement header



LEGEND:

- 1- Furring strips Fastened to studs.
- 2- Plywood reinforcement header. This header is designed to carry the added load created by the bricks. Its thickness is 3/4" (19mm) and the width is the same as the opening plus 12" (305mm). The height is taken from the header chart on the right. See 4.3.5 if installing a soldier course.
- 3- Existing header carrying all other loads.
- 4- Window or door.
- 5- Fastening of the reinforcement header:
 up to 24 rows of bricks: 2rows of #10 screws at 10" (254mm) o.c.
 between 25 and 39 rows: 2rows of #10 screws at 7" (178mm) o.c.
 between 40 and 60 rows: 2rows of #10 screws at 7" (178mm) o.c.

