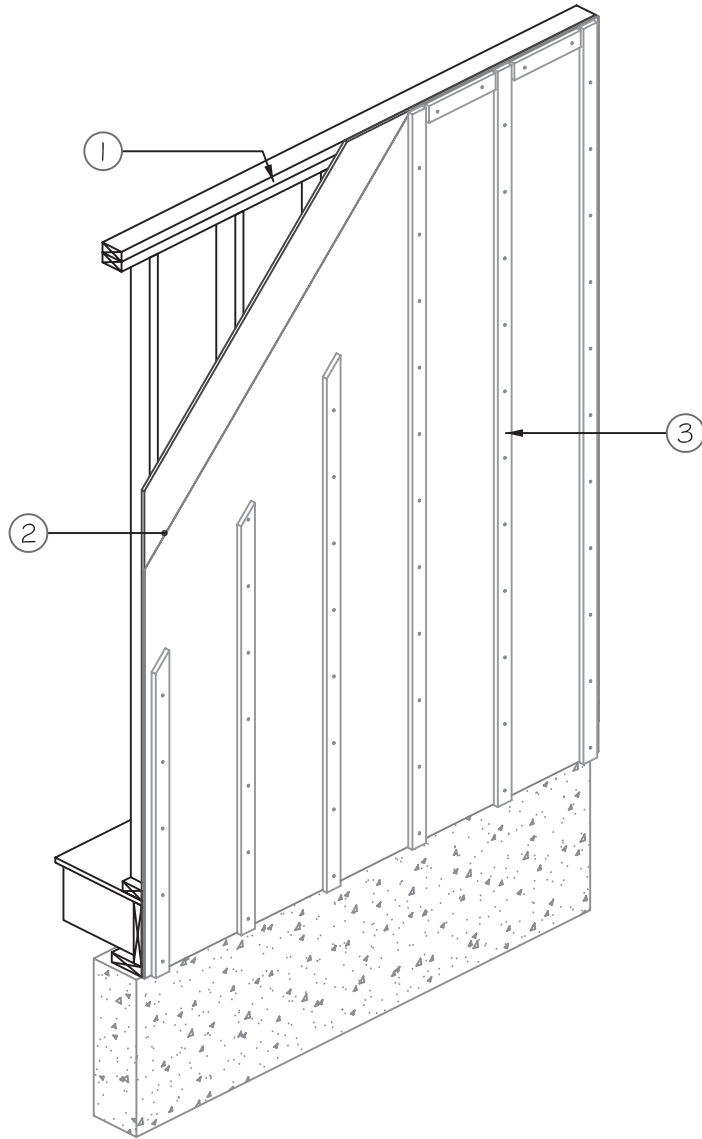
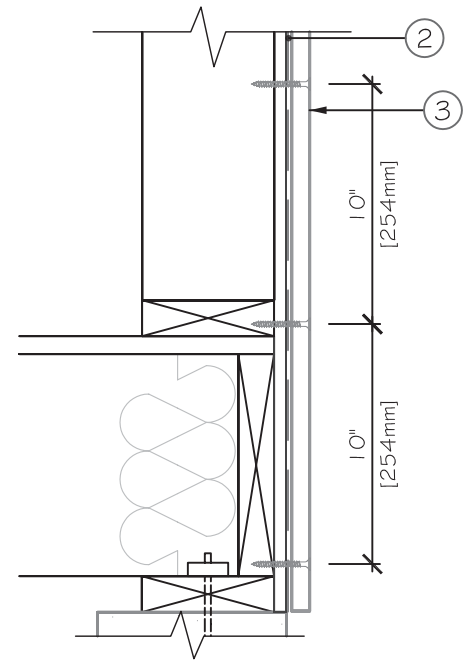


4.1 - Wall Preparation

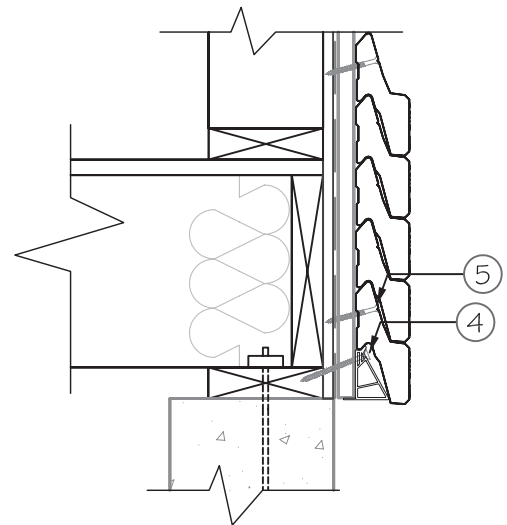
1a- Wall



A) Wall Preparation



B) Starter Strip Installation



C) Novabrik Installation

LEGEND:

- 1- Standard wood frame construction.
- 2- Housewrap.
- 3- 1" x 3" (38mm x 64mm) vertical wood furring strips fasten to studs with #10 corrosion resistant screws at 10" o.c. (min. 1¼" (32mm) penetration into stud).
- 4 - Starter strip fastened with #10 corrosion resistant screws at every furring strip (min. 1¼" (32mm) penetration into stud).
- 5- Novabrik stacked and screwed with #10 x 2½" (64mm) corrosion resistant screws at every furring strip.

